



Parts Manual

Model Sideshifter

Catalog Number 55F-SSS-2-87388

cascade®
corporation

For Technical Assistance call: 800-227-2233, Fax: 888-329-8207

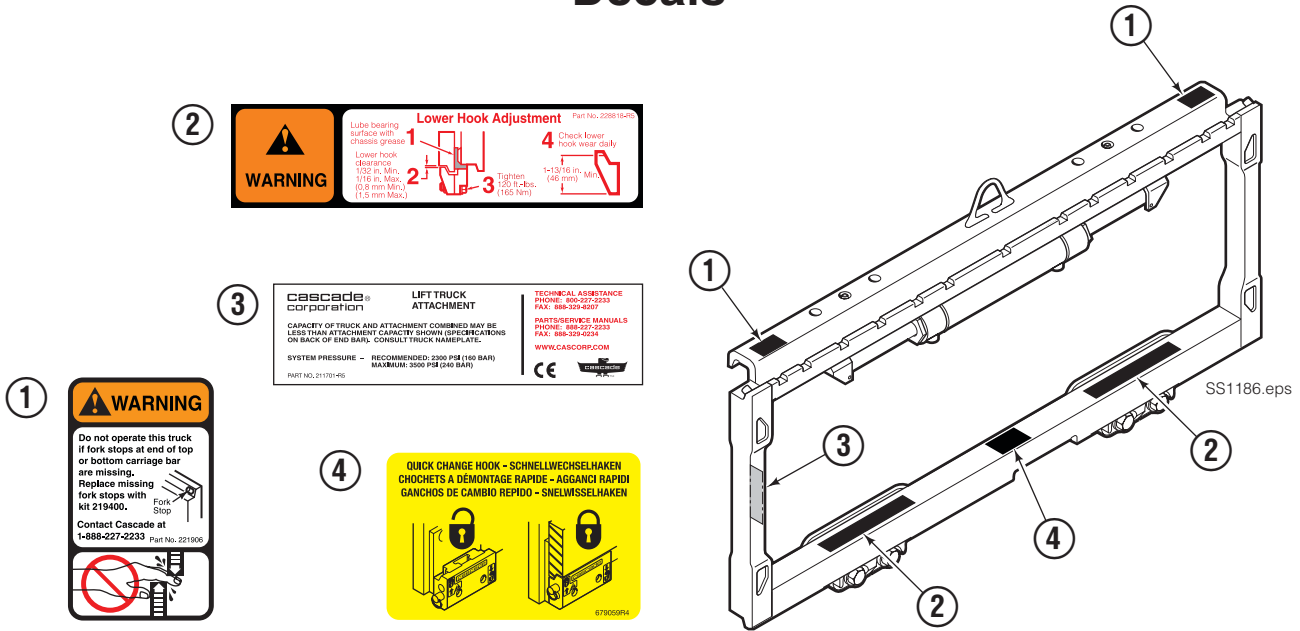
To Order Parts call: 888-227-2233, Fax: 888-329-0234

OR

Write: Cascade Corporation, P.O. Box 20187, Portland, OR 97220

Internet: www.cascorp.com

Decals



2

Lower Hook Adjustment Part No. 228818/4

Lube bearing surface with chassis grease

1 Lower hook clearance: 1/32 in. Min., 1/16 in. Max., (0.8 mm Min., 1.5 mm Max.)

2

3 Tighten to 220 ft.-lbs. (160 Nm)

4 Check lower hook wear disk

3

cascade CORPORATION

LIFT TRUCK ATTACHMENT

TECHNICAL ASSISTANCE
PHONE: 800-227-2233
FAX: 888-329-0237

PARTS/SERVICE MANUALS
PHONE: 888-227-2233
FAX: 888-329-0234

WWW.CASCADE.COM

CE

CAPACITY OF TRUCK AND ATTACHMENT COMBINED MAY BE LESS THAN ATTACHMENT CAPACITY SHOWN (SPECIFICATIONS ON BACK OF END BAR). CONSULT TRUCK NAMEPLATE.

SYSTEM PRESSURE - RECOMMENDED: 2300 PSI (160 BAR)
MAXIMUM: 3000 PSI (210 BAR)

PART NO. 211701/45

1

WARNING

Do not operate this truck if fork stops at end of top or bottom carriage bar are missing. Replace missing fork stops with kit 219400.

Fork Stop

Contact Cascade at 1-888-227-2233 Part No. 221906

4

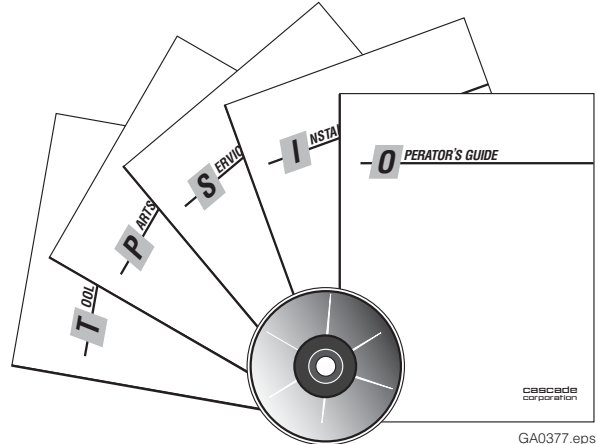
QUICK CHANGE HOOK - SCHNELWECHSELHAKEN
CHOCHETS A DÉMONTAGE RAPIDE - AGGANCI RAPIDI
GANCHOS DE CAMBIO RÁPIDO - SNEELWISSELHAKEN

©1995SP4

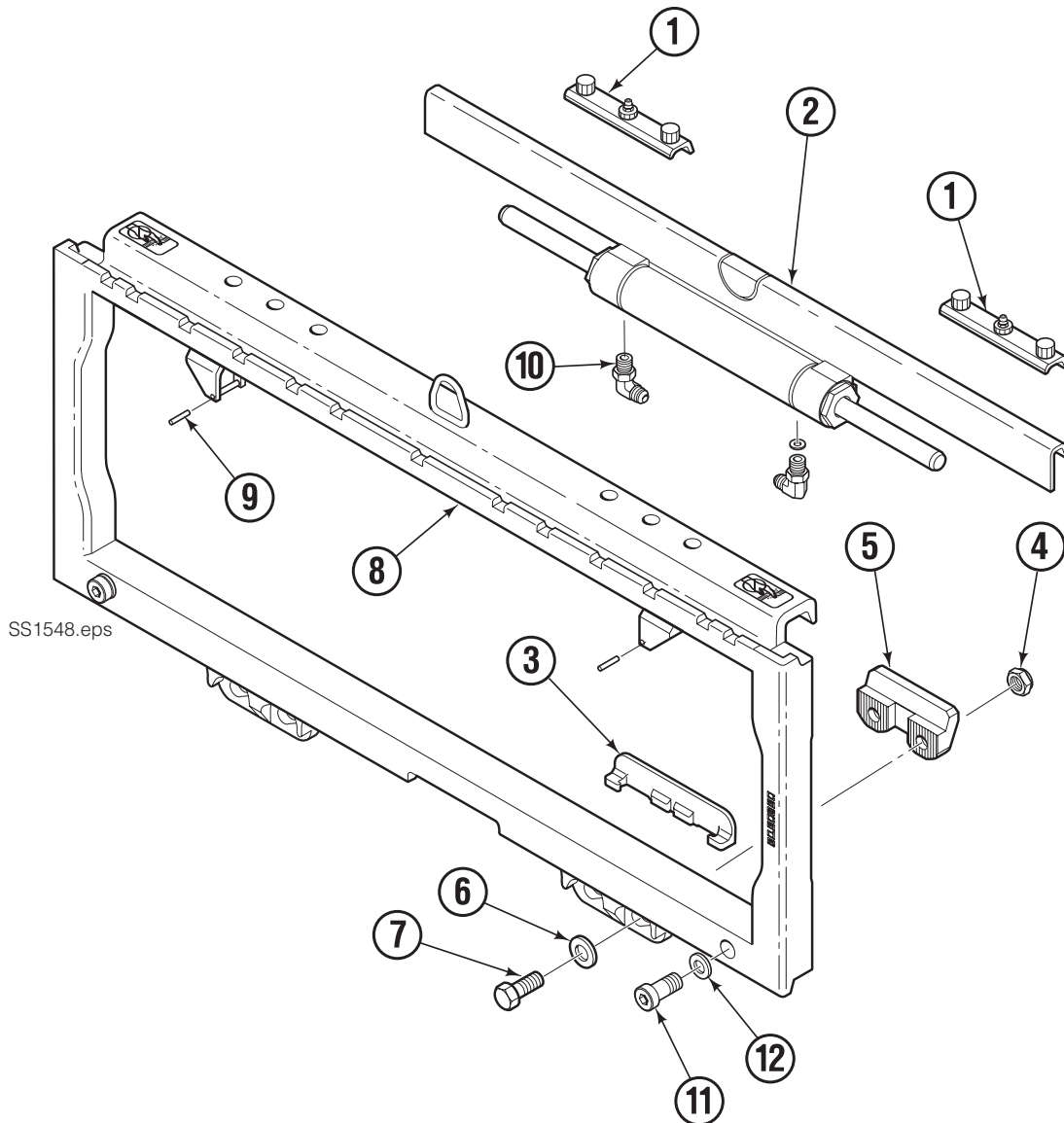
REF	QTY	PART NO.	DESCRIPTION
1	2	221906	Fork Stop & Pinch Point Decal
2	2	228818	Lower Hook Adjust Decal (Class II & III)
	2	6801280	Lower Hook Adjust Decal (Class IV)
3	1	211701	Capacity Decal
4	1	679059	Quick-Disconnect Lower Hook Decal

Publications

PART NO.	DESCRIPTION
673900	Parts Manual (Nameplate data required)
219941	User Manual – Installation & Operation
220526	Service Manual
679929	Tools Catalog



Sideshift Group



55F							
REF	QTY	PART NO.	DESCRIPTION	REF	QTY	PART NO.	DESCRIPTION
1	2	228782	Upper Bearing	7	4	752903	Capscrew, M16 x 45 ◆
2	1	6578154	Cylinder ▲❖	8	1	6578153	Frame ●❖
3	2	6000719	Lower Bearing	9	2	7890	Roll Pin
4	4	678990	Nut, M16 ◆	10	2	601676	Fitting, 6-6 ■
5	2	204186	Lower Hook ◆	11	2	768826	Capscrew, M12 x 25 ▼
6	4	667225	Washer ◆	12	2	787385	Washer ▼

▲ See Cylinder page for parts breakdown.

◆ Included in Lower Hook Group 204182 ❖.

■ Included in Fitting Group 204179.

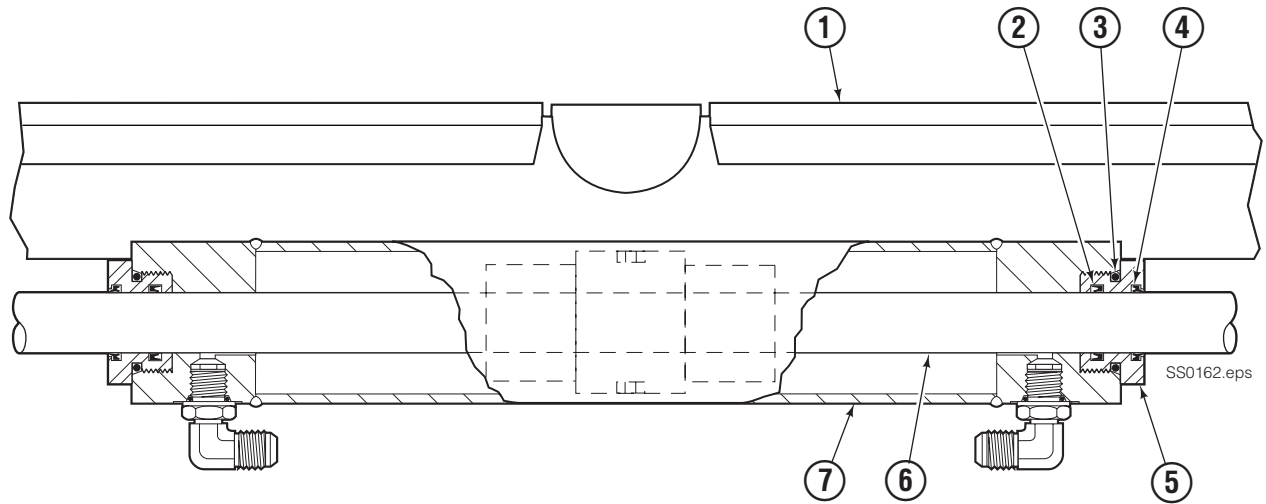
Reference: S-10090 Type 1, Common Parts 223777.

● If the Frame needs replacing, your best value is to order the complete sideshift assembly.

▼ Included in Fork Stop Group 797109.

❖ Included in Coating Group 6578152

Cylinder Assembly



55F			
REF	QTY	PART NO.	DESCRIPTION
1	1	6578152	Cylinder Assembly
2	2	562132	● Rod Seal
3	2	415866	● O-Ring, 70 Duro
4	2	562131	● Rod Wiper Seal
5	2	218324	Retainer/Seal Carrier
6	-	■	Rod/Piston Assembly
7	-	■	Cylinder Shell
		219868	Rod Seal Service Kit

● Included in Service Kit 219868.
 ■ Not serviceable – order new Cylinder Assembly.
 Reference: S-64790.

Do you have questions you need answered right now?

Call your nearest Cascade Parts Department.

Visit us online at www.cascorp.com

AMERICAS

**Cascade Corporation
Parts Sales**

2501 Sheridan Ave.
Springfield, OH 45505
Tel: 888-CASCADE (227-2233)
Fax: 888-329-0234

Cascade Canada Inc.

5570 Timberlea Blvd.
Mississauga, Ontario
Canada L4W-4M6
Tel: 905-629-7777
Fax: 905-629-7785

Cascade do Brasil

Praça Salvador Rosa,
131/141-Jordanópolis,
São Bernardo do Campo - SP
CEP 09891-430
Tel: 55-13-2105-8800
Fax: 55-13-2105-8899

EUROPE-AFRICA

**Cascade Italia S.R.L.
European Headquarters**

Via Dell'Artigianato 1
37030 Vago di Lavagno (VR)
Italy
Tel: 39-045-8989111
Fax: 39-045-8989160

Cascade (Africa) Pty. Ltd.

PO Box 625, Isando 1600
60A Steel Road
Sparton, Kempton Park
South Africa
Tel: 27-11-975-9240
Fax: 27-11-394-1147

ASIA-PACIFIC

Cascade Japan Ltd.

2-23, 2-Chome,
Kukuchi Nishimachi
Amagasaki, Hyogo
Japan, 661-0978
Tel: 81-6-6420-9771
Fax: 81-6-6420-9777

Cascade Korea

121B 9L Namdong Ind.
Complex, 691-8 Gojan-Dong
Namdong-Ku
Inchon, Korea
Tel: +82-32-821-2051
Fax: +82-32-821-2055

Cascade-Xiamen

No. 668 Yangguang Rd.
Xinyang Industrial Zone
Haicang, Xiamen City
Fujian Province
P.R. China 361026
Tel: 86-592-651-2500
Fax: 86-592-651-2571

**Cascade India Material
Handling P Ltd**

Sy no 271/8, Ingawale Patil
Estate,
Godown No.9,10 & 11, Bhugaon,
Off Paud Road, Tal Mulshi, Dist
Pune 411 042

Cascade Australia Pty. Ltd.

1445 Ipswich Road
Rocklea, QLD 4107
Australia
Tel: 1-800-227-223
Fax: +61 7 3373-7333

Cascade New Zealand

15 Ra Ora Drive
East Tamaki, Auckland
New Zealand
Tel: +64-9-273-9136
Fax: +64-9-273-9137

**Sunstream Industries
Pte. Ltd.**

18 Tuas South Street 5
Singapore 637796
Tel: +65-6795-7555
Fax: +65-6863-1368

